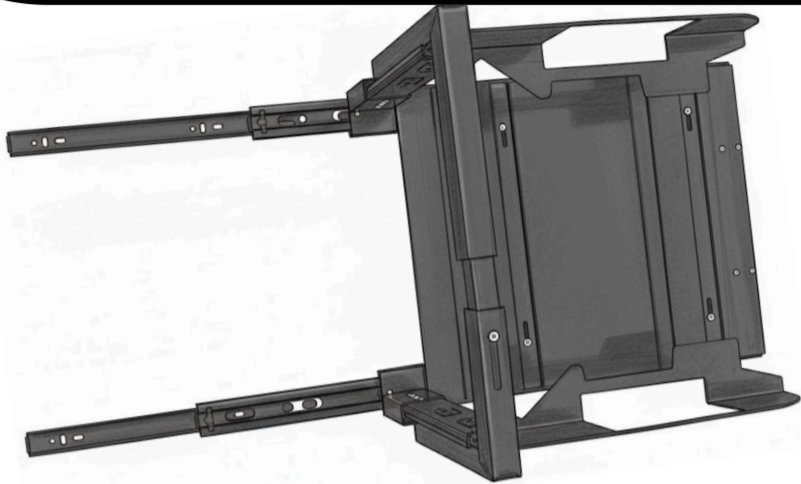
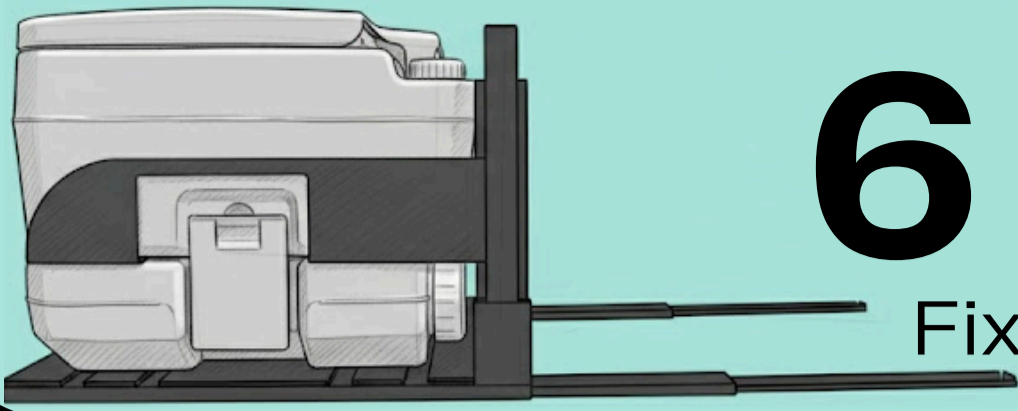


6 Easy Steps

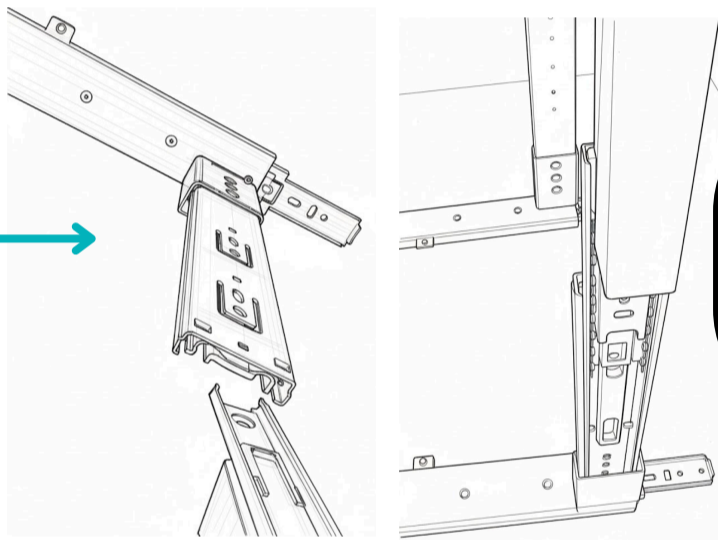
Fix'n'Rail™ Assembly Guide Securing Portable Toilets



2

TOP BAR & RAILS

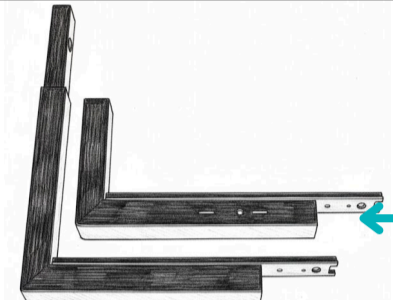
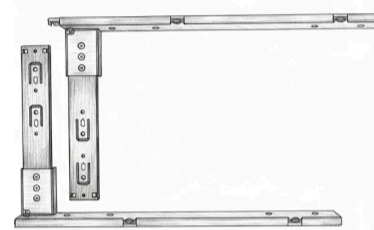
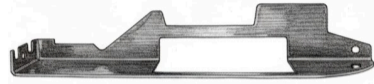
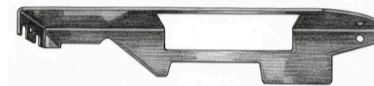
Align and vertically insert the left and right top bars onto the rails (refer to figure). Keep the top bar unscrewed to set the final desired width later (refer to point 5).



1

SORT THE COMPONENTS

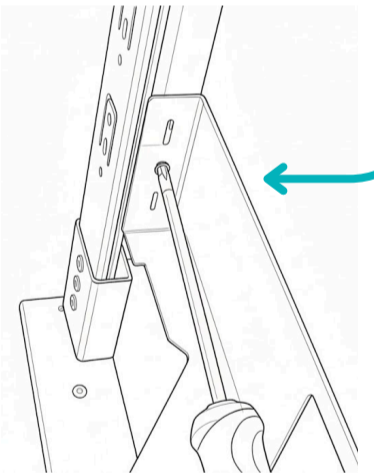
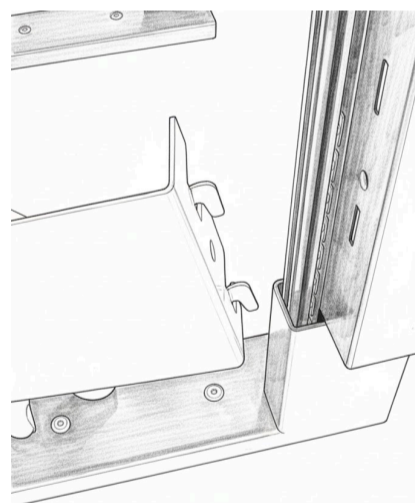
Inventory all components and prepare a level, suitable workspace for the toilet's assembly and mounting.



3

ARMS ON RAILS AND TOP BAR

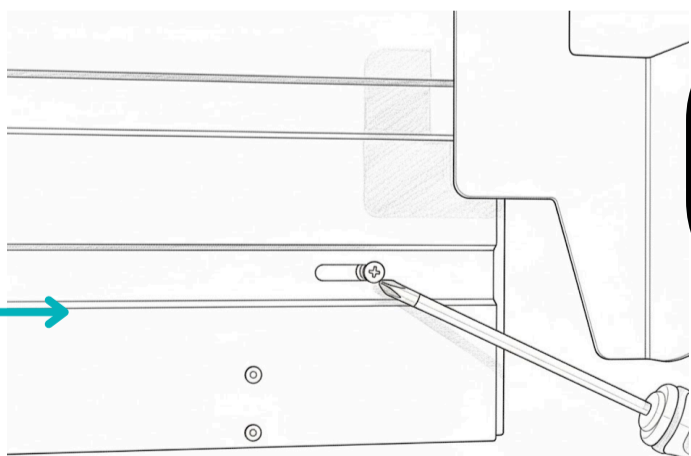
Insert the toothed part of right and left arms onto the vertical section of the top bar (that is already inserted with rails). Once correctly seated, immediately secure both arms with screws.



4

MOUNT BASE

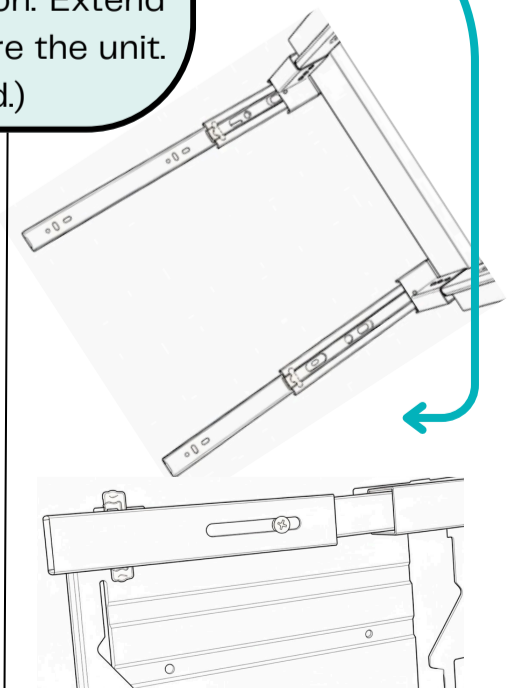
Position the base onto the rails (wheels forward). Align the base to expose the mounting holes and secure it with screws.



5

SECURE THE SLIDERS & TOP BAR

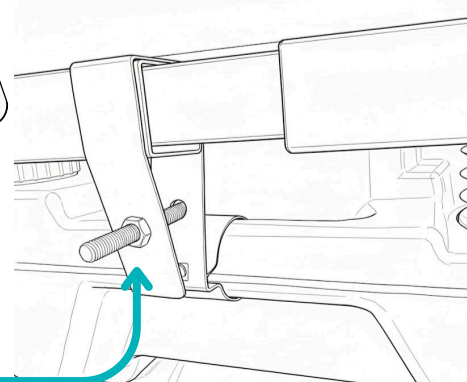
Place the assembly in the desired location. Extend the rails, identify anchor points, and secure the unit. (Secure the top bar once width is adjusted.)



6

SECURE HOOKS

Choose a hook of your need and secure the portable Toilet - Remember to choose the right hook for your toilet. For further information, check our youtube videos.



Hook Types & Portable Toilets

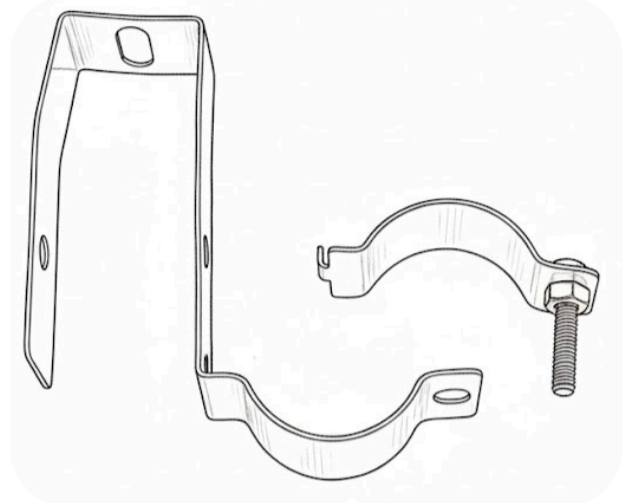
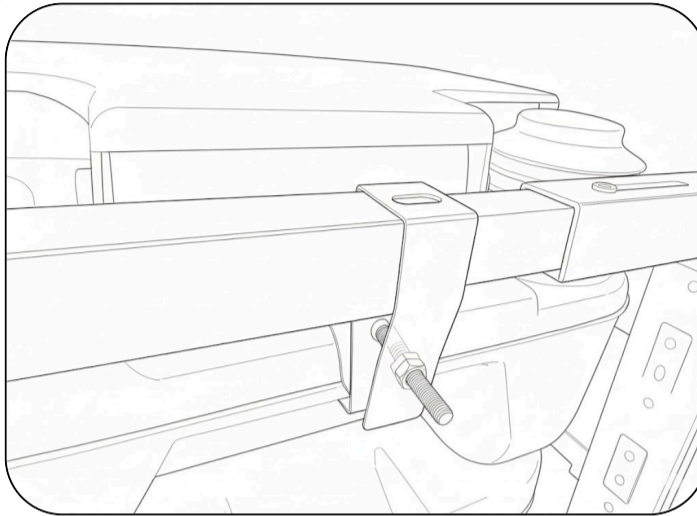
Securing Portable Toilets

1

DEFAULT HOOK

NOTE: SECURES ROCKTRAIL, SEAFLO, BURNSCO, CAMP MASTER, CAMEC, OR ZEMPIRE PORTACAMP TOILETS ONLY

2- PLACE THE HOOK ON TOPBAR AND SECURE IT WITH THE LONG BOLT.



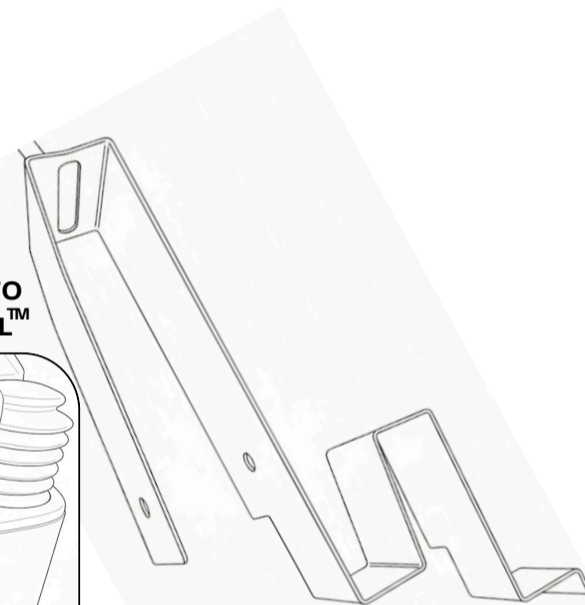
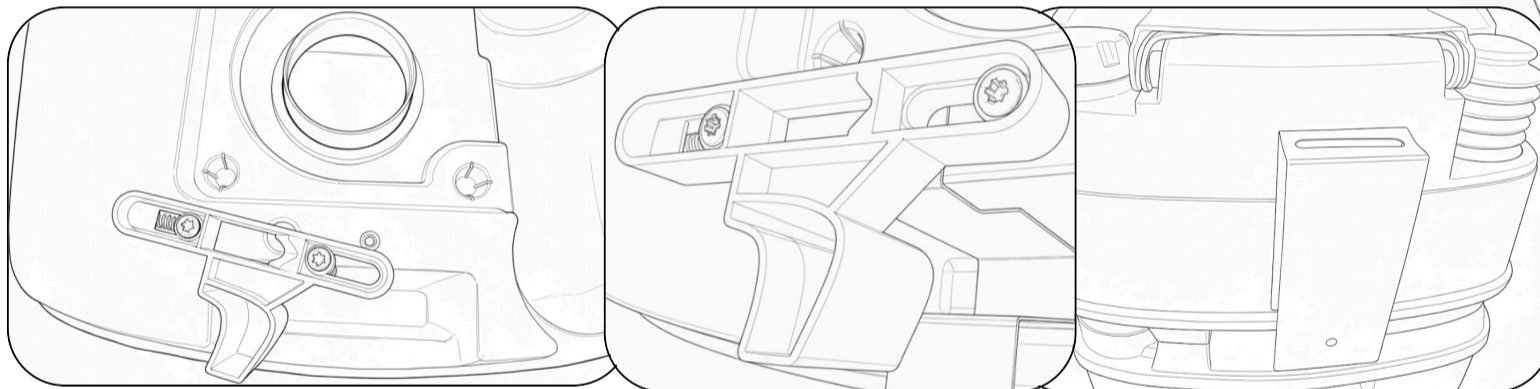
2

THETFORD HOOK

1- LOOSEN THE SCREW NEXT TO THE SPRING, AND UNSCREW THE OTHER

2- PLACE THE HOOK INLINE WITH SCREW HOLES AND SECURE

3- BOLT DOWN THE HOOK TO THE TOP BAR OF FIX'N'RAIL™



NOTE: SECURES THETFORD (145, 165 OR 365) TOILETS ONLY

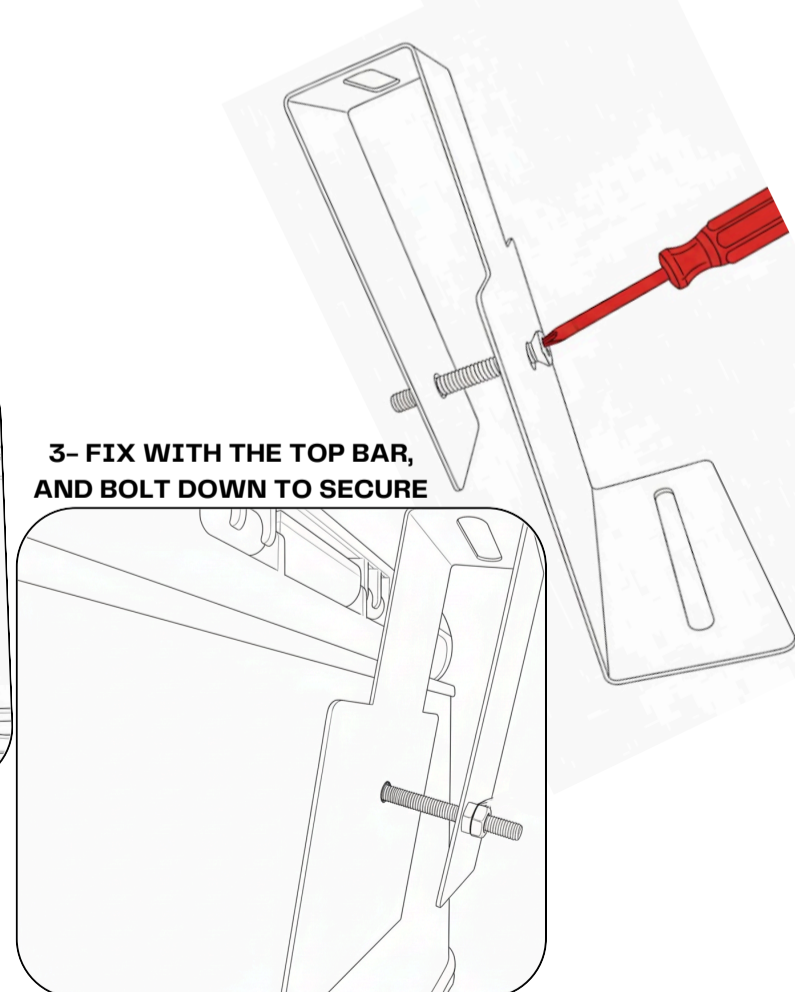
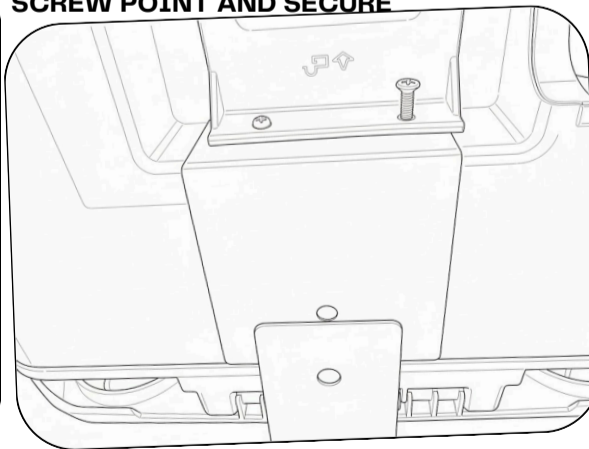
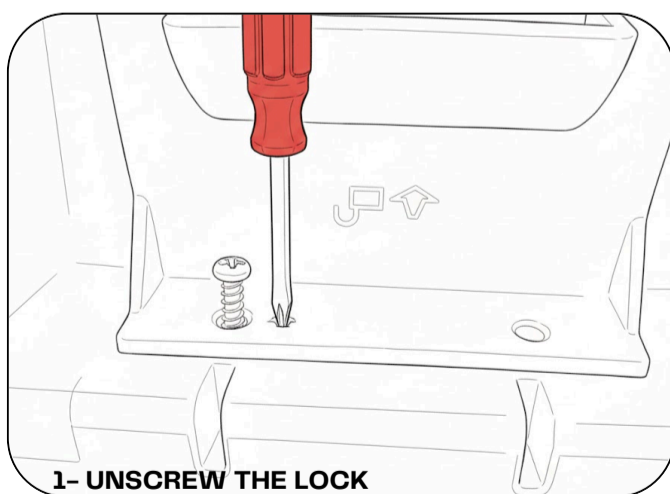
3

DOMETIC HOOK

1- UNSCREW THE LOCK

2- PLACE THE HOOK ON SCREW POINT AND SECURE

3- FIX WITH THE TOP BAR, AND BOLT DOWN TO SECURE



NOTE: SECURES DOMETIC TOILETS ONLY